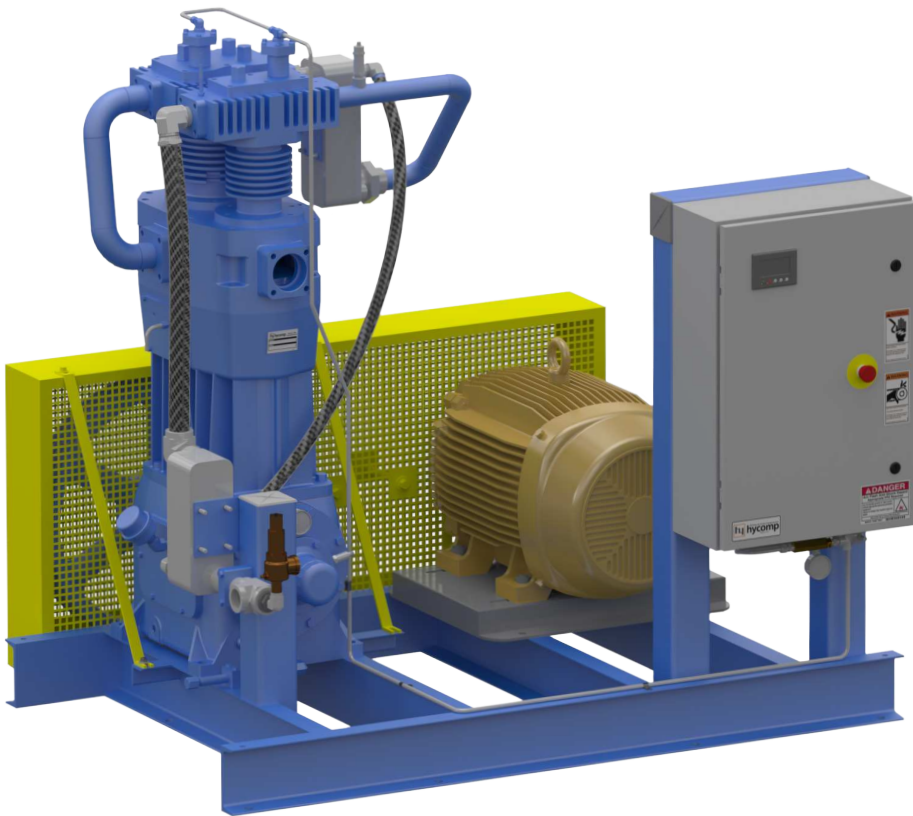




DS133HP Odyssey Air and Nitrogen Booster

Trust, It's What We Build

Trust Hycomp's Odyssey line of Oil-Free Air and Nitrogen boosters for your critical project needs. Designed to prevent contamination and losses of the gas stream, these units provide worry free operation and a 20+ year life expectancy.



High Pressure to 600 PSIG

Water Cooled Heat Exchangers

100% Oil-Free Gas Stream Ensures ISO 8573-1 Compliance

Durable Cast Iron and Steel Construction

24 Hour Duty Cycle

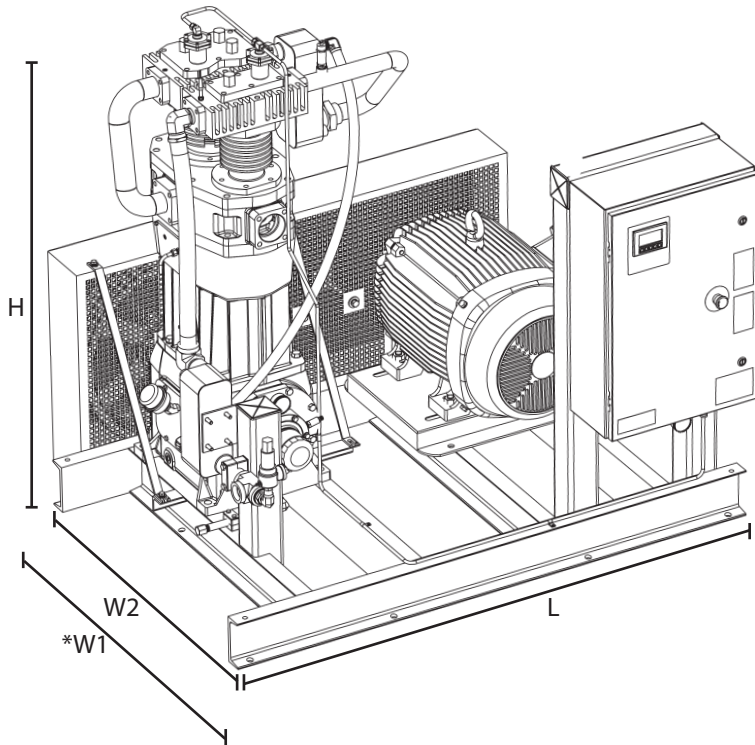
Simple Annual Maintenance

24 Hour Live Tech Support

Made in the USA

The Compressor So Reliable, You'll Forget It's There

DS133HP Odyssey Air and Gas Booster



*Includes front control panel and rear belt guard assembly.

Dimensions

Length:	72"
Overall Width (*W1):	64"
Skid Width (W2):	45"
Height:	66"
Estimated Weight:	2900 lbs
Estimated Shipping Weight:	3700 lbs
Suction (FNPT):	3"
Discharge (FNPT):	1- 1/2"
Instrument Ports (FNPT):	1/4"
Cooling Water In/Out (FNPT):	3/4"

Technical Specifications

Bore:	.525" x 3.25"
Stroke:	5.00"
No. of Stages:	2
No. of Cylinders:	2
Cooling:	Air
Air Controls:	PLC Touch Screen Interface
Compressor Model:	2AN38F

Utility Requirements

Power (40 HP):	460/3/60	53.5 FLA
Power (50 HP):	460/3/60	66.6 FLA
Power (60 HP):	460/3/60	85.0 FLA
Power (75 HP):	460/3/60	104.4 FLA
Cooling Water:	8-15 GPM,	80° F

Additional Options

- Auxiliary Cooling Fan
- Cold Weather Packaging
- Duplex Programming
- Multiple Voltages
- Modbus Gateway
- Moisture Separators
- DSi Install Kit Includes:
 - Filters
 - Regulator
 - Tanks
 - Flex Hoses

Capacity

Suction Pressure (PSIG)	Discharge Pressure (PSIG)	Minimum Flow (SCFH)	40 HP Maximum Flow (SCFH)	50 HP Maximum Flow (SCFH)	60 HP Maximum Flow (SCFH)	75 HP Maximum Flow (SCFH)
70	450	5,590	6,630	9,210	10,240	NA
70	500	5,500	6,520	8,550	10,080	NA
70	600	5,320	5,910	7,780	NA	NA
80	450	6,360	7,540	9,900	11,660	NA
80	500	6,270	7,430	9,160	10,900	11,490
80	600	6,080	6,080	8,340	10,030	11,150
90	450	7,140	8,460	10,440	13,090	NA
90	500	7,100	7,830	9,650	11,600	12,900
90	600	6,850	6,850	8,120	10,660	12,560
100	450	7,920	8,800	11,580	13,770	14,510
100	500	7,820	8,690	10,710	12,880	14,330
100	600	7,620	7,620	9,040	11,150	13,970

Table based on 80F suction temperature at sea level. Cooling fan option may be required to reach maximum flow.

Contact Hycomp for specific capacity at given conditions.

To ensure we are constantly improving, Hycomp reserves the right to make changes without prior notification.

L266, Rev 1