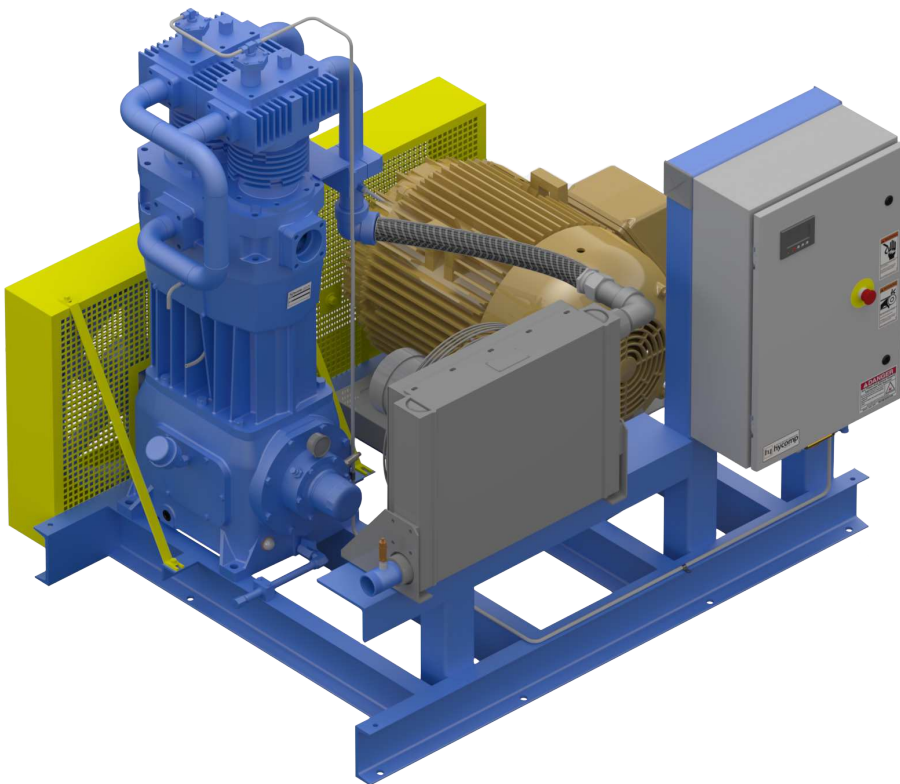




## DS303 Odyssey Air and Nitrogen Booster

### Trust, It's What We Build

Trust Hycomp's Odyssey line of Oil-Free Air and Nitrogen boosters for your critical project needs. Designed to prevent contamination and losses of the gas stream, these units provide worry free operation and a 20+ year life expectancy.



**100% Oil-Free Gas Stream**

**ISO 8573-1 Compliance  
Eliminates Risk to Product  
and Equipment**

**Durable Cast Iron and  
Steel Construction**

**24 Hour Duty Cycle**

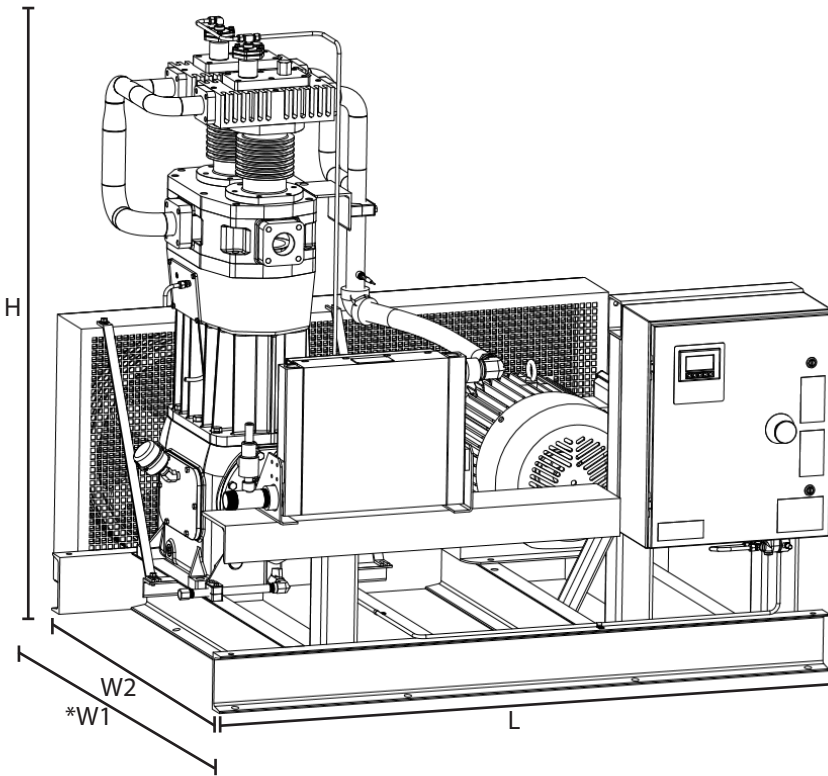
**Simple Annual  
Maintenance**

**24 Hour Live Tech  
Support**

**Made in the USA**

**The Compressor So Reliable, You'll Forget It's There**

# DS303 Odyssey Air and Gas Booster



## Dimensions

- Length: ..... 72"
- Overall Width (\*W1): ..... 66"
- Skid Width (W2): ..... 50"
- Height: ..... 66"
- Estimated Weight: ..... 2600 lbs
- Estimated Shipping Weight: ..... 3400 lbs
- Suction (FNPT): ..... 3"
- Discharge (MNPT): ..... 2"
- Instrument Ports (FNPT): ..... 1/4"

## Technical Specifications

- Bore: ..... 5.00"
- Stroke: ..... 5.00"
- No. of Stages: ..... 1
- No. of Cylinders: ..... 2
- Cooling: ..... Air
- Controls: ..... PLC Touch Screen Interface
- Compressor Model: ..... AN68F

## Utility Requirements

- Power (50 HP): ..... 460/3/60 66.7 FLA
- Power (60HP): ..... 460/3/60 85.0 FLA
- Power (75HP): ..... 460/3/60 104.4 FLA

## Additional Options

- Auxiliary Cooling Fan
- Cold Weather Packaging
- Duplex Programming
- Multiple Voltages
- Modbus Gateway
- Moisture Separators
- DSi Install Kit Includes:
  - Filters
  - Regulator
  - Tanks
  - Flex Hoses

\*Includes front control panel and rear belt guard assembly.

## Capacity

Suction Pressure (PSIG)	Discharge Pressure (PSIG)	Minimum Flow (SCFH)	50 HP Maximum Flow (SCFH)	60 HP Maximum Flow (SCFH)	75 HP Maximum Flow (SCFH)
70	200	11,540	16,870	20,070	21,150
70	250	11,040	13,080	16,140	18,180
80	200	13,190	19,290	22,930	24,180
80	250	12,670	15,020	18,530	22,030
80	300	12,180	12,180	14,430	16,690
90	200	14,850	21,700	27,210	NA
90	250	14,320	16,970	19,620	24,900
90	300	13,810	13,810	16,370	21,490
100	200	16,500	25,680	30,250	NA
100	250	15,960	18,930	23,340	29,260
100	300	15,450	15,450	18,310	22,590

Table based on 80F suction temperature at sea level. Cooling fan option may be required to reach maximum flow.

Contact Hycomp for specific capacity at given conditions.

To ensure we are constantly improving, Hycomp reserves the right to make changes without prior notification.

L256, Rev 3