



## DS087 Odyssey Air and Nitrogen Booster

### Trust, It's What We Build

Trust Hycomp's Odyssey line of Oil-Free Air and Nitrogen boosters for your critical project needs. Designed to prevent contamination and losses of the gas stream, these units provide worry free operation and a 20+ year life expectancy.



**100% Oil-Free Gas Stream**

**ISO 8573-1 Compliance  
Eliminates Risk to Product  
and Equipment**

**Durable Cast Iron and  
Steel Construction**

**24 Hour Duty Cycle**

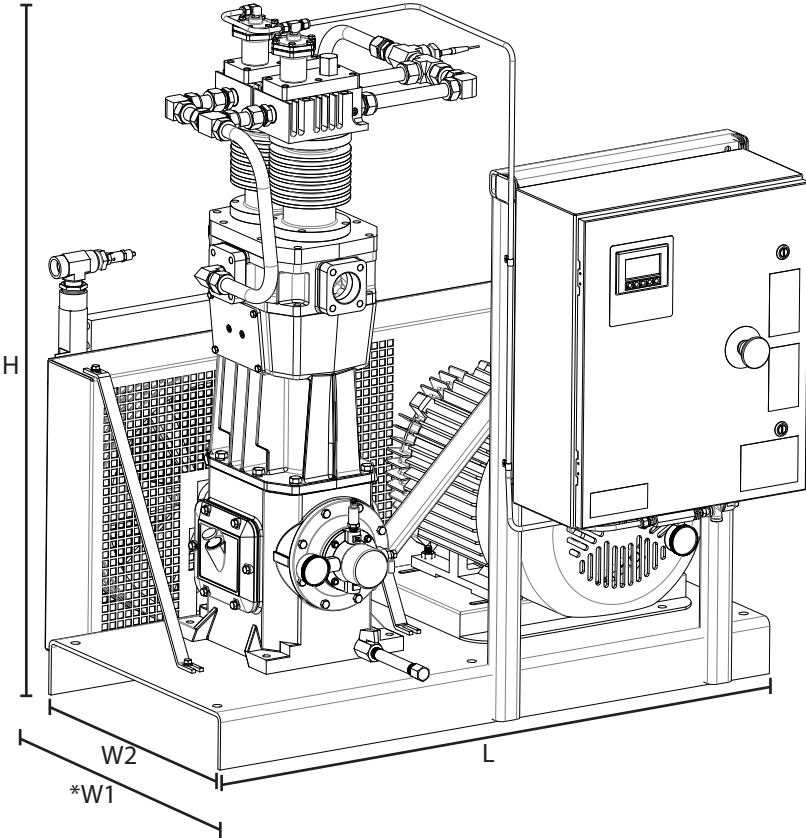
**Simple Annual  
Maintenance**

**24 Hour Live Tech  
Support**

**Made in the USA**

**The Compressor So Reliable, You'll Forget It's There**

# DS087 Odyssey Air and Gas Booster



\*Includes front control panel and rear belt guard assembly.

## Dimensions

Length:	52"
Overall Width (*W1):	46"
Skid Width (W2):	23"
Height:	56"
Estimated Weight:	1100 lbs
Estimated Shipping Weight:	1500 lbs
Suction (FNPT):	2"
Discharge (FNPT):	1"
Instrument Ports (FNPT):	1/4"

## Technical Specifications

Bore:	3.25"
Stroke:	3.50"
No. of Stages:	1
No. of Cylinders:	2
Cooling:	Air
Controls:	PLC Touch Screen Interface
Compressor Model:	AN20D

## Utility Requirements

Power (20 HP):	460/3/60 27.3 FLA
Power (25 HP):	460/3/60 34.3 FLA

## Additional Options

- Auxiliary Cooling Fan
- Cold Weather Packaging
- Duplex Programming
- Multiple Voltages
- Modbus Gateway
- Moisture Separators
- DSi Install Kit Includes:
  - Filters
  - Regulator
  - Tanks
  - Flex Hoses

## Capacity

Suction Pressure (PSIG)	Discharge Pressure (PSIG)	Minimum Flow (SCFH)	20 HP Maximum Flow (SCFH)	25 HP Maximum Flow (SCFH)
70	200	3,450	6,120	NA
70	250	3,300	5,410	5,860
70	300	3,150	3,730	NA
80	200	3,940	7,000	NA
80	250	3,780	6,040	6,720
80	300	3,640	5,130	5,800
90	200	4,430	7,870	NA
90	250	4,270	6,820	7,600
90	300	4,120	5,640	6,960
100	200	4,930	8,760	NA
100	250	4,770	7,610	8,470

Table based on 80F suction temperature at sea level. Cooling fan option may be required to reach maximum flow.

Contact Hycomp for specific capacity at given conditions.

To ensure we are constantly improving, Hycomp reserves the right to make changes without prior notification.

L253, Rev 3