



DS012 Odyssey Air and Nitrogen Booster

Trust, It's What We Build

Trust Hycomp's Odyssey line of Oil-Free Air and Nitrogen boosters for your critical project needs. Designed to prevent contamination and losses of the gas stream, these units provide worry free operation and a 20+ year life expectancy.



100% Oil-Free Gas Stream

**ISO 8573-1 Compliance
Eliminates Risk to Product
and Equipment**

**Durable Cast Iron and
Steel Construction**

24 Hour Duty Cycle

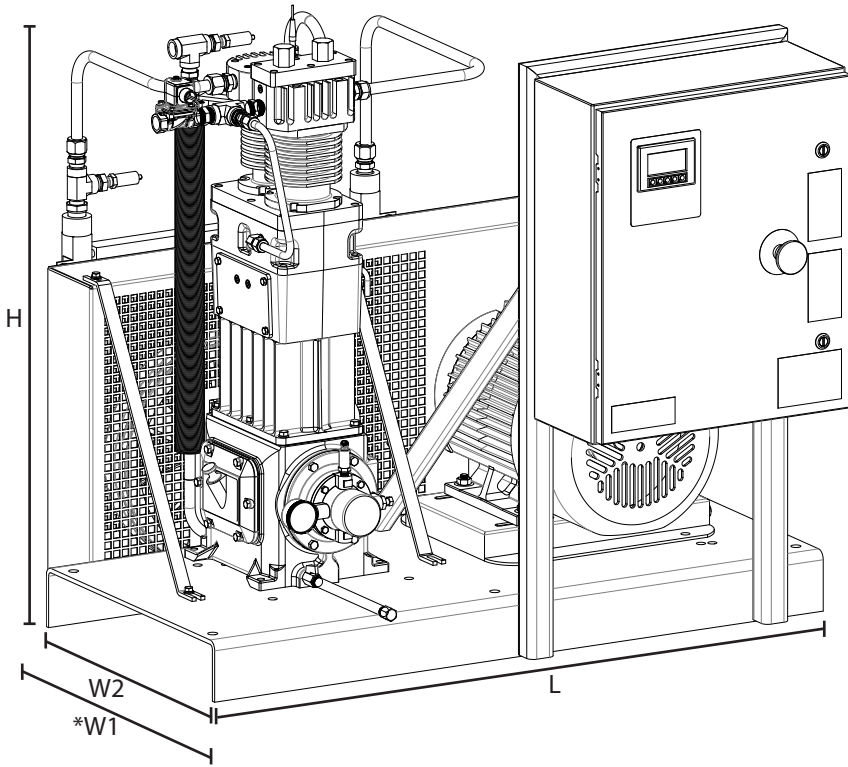
**Simple Annual
Maintenance**

**24 Hour Live Tech
Support**

Made in the USA

The Compressor So Reliable, You'll Forget It's There

DS012 Odyssey Air and Gas Booster



Dimensions

Length:	50"
Overall Width (*W1):	46"
Skid Width (W2):	23"
Height:	48"
Estimated Weight:	850 lbs
Estimated Shipping Weight:	1100 lbs
Suction (FNPT):	3/4"
Discharge (FNPT):	3/4"
Instrument Ports (FNPT):	1/4"

Technical Specifications

Bore:	2.00" x 1.125"
Stroke:	3.00"
No. of Stages:	2
No. of Cylinders:	2
Cooling:	Air
Controls:	PLC Touch Screen Interface
Compressor Model:	2AN3C

Utility Requirements

Power (5 HP): 460/3/60 7.3 FLA

Additional Options

- Auxiliary Cooling Fan
- Cold Weather Packaging
- Duplex Programming
- Multiple Voltages
- Modbus Gateway
- Moisture Separators
- DSi Install Kit Includes:
 - Filters
 - Regulator
 - Tanks
 - Flex Hoses

*Includes front control panel and rear belt guard assembly.

Capacity

Suction Pressure (PSIG)	Discharge Pressure (PSIG)	Minimum Flow (SCFH)	SHP Maximum Flow (SCFH)
70	300	516	924
70	400	498	894
70	450	492	876
70	500	480	864
70	600	468	780
80	300	588	1,050
80	400	570	1,010
80	450	558	996
80	500	552	924
80	550	540	876
80	600	534	834

Table based on 80F suction temperature at sea level. Cooling fan option may be required to reach maximum flow.

Contact Hycomp for specific capacity at given conditions.

To ensure we are constantly improving, Hycomp reserves the right to make changes without prior notification.

L247, Rev 3