

# Oil Free Air Compressors



*Performance Under Pressure™*

# Trust... it's what we build

## Who is Hycomp?

Hycomp has been earning our customers' trust and respect since 1969 by manufacturing quality oil free air and gas compressors, while providing unparalleled engineering and service expertise.

We begin by acknowledging that every application, and therefore every customer, has unique requirements. With this open mind set we investigate the details of your application, allowing us to solve problems before they occur. Trust Hycomp to understand your needs and provide you with a reliable solution.



**Building Trust...  
Since 1969**

## Have Your Engineer Talk To Our Engineer



Hycomp engineers get involved from inquiry through installation to ensure the compressor system provided is an exact match to your application. We follow an Engineer-to-Engineer (E2E) process as we work through the specifics of each application and as we design your system.

## Endless Tech Support

Need technical guidance? Unlimited tech support is included at no additional charge with every Hycomp compressor. There are no annual tech subscription fees, just Hycomp technicians that are available to assist you 24 hours a day.

## Large Design - Small Compressor

Hycomp utilizes heavy duty construction that incorporates the benefits of larger designs into our compressors and boosters. We manufacture compressors that provide longevity and continuous oil free service by taking advantage of cast iron cylinders and heads, pressure oil lubricated crankcases and thick PTFE based piston rings.

## Made In The USA & Fully Stocked

Every compressor we build is manufactured at our plant in Utah. Replacement parts are stocked on our shelves and available for next day delivery.



## Higher Pressures

Hycomp compressors provide continuous operation from low to high pressures. Our 2 stage water-cooled compressors run continuously up to 250 psig and our 3 stage compressors provide up to 450 psig continuously.

## Oil Free

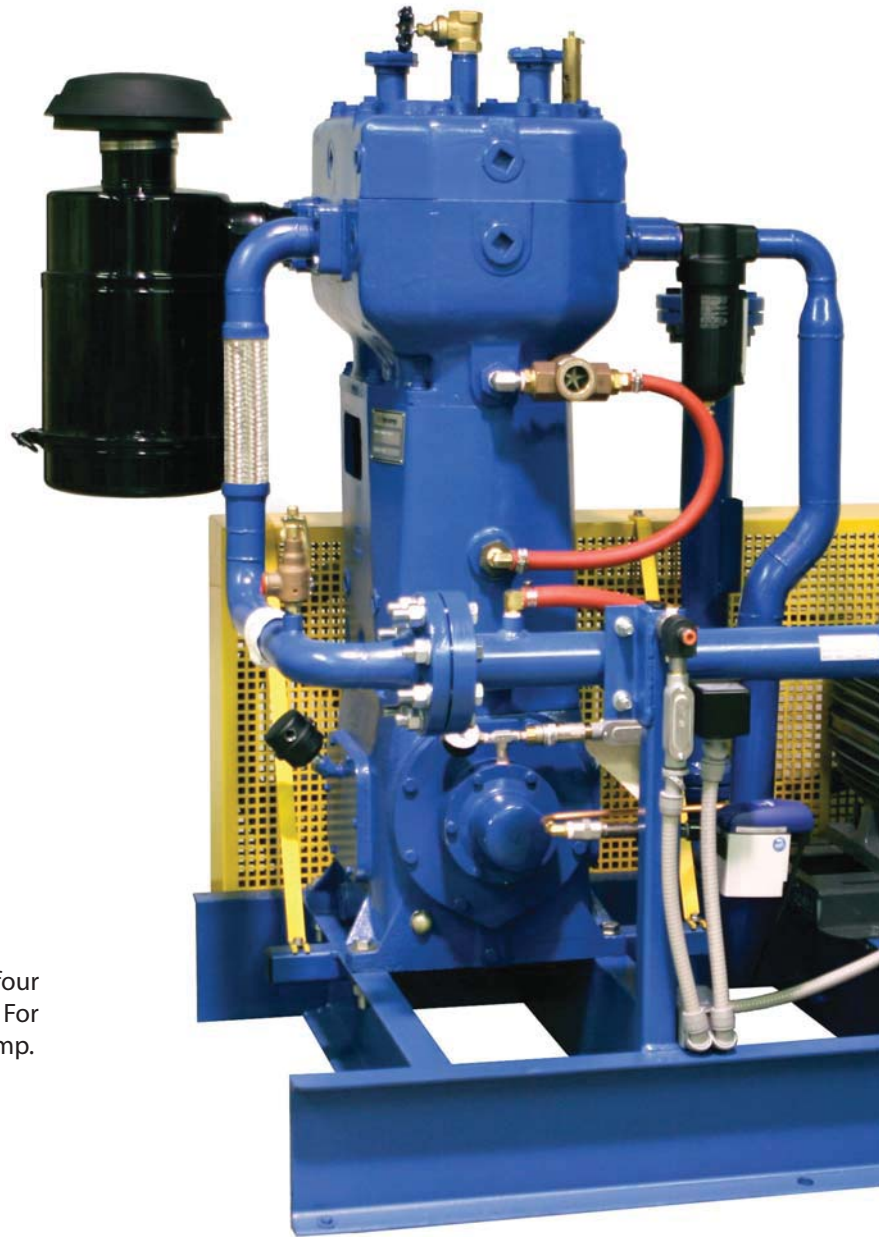
Your process remains clean and your air stream pure because oil never enters the compression cylinder. When your process demands pure air, trust Hycomp.

## True Continuous Duty

Continuous duty means something different to us. Every Hycomp compressor is engineered to run continuously for 24 hours a day, 365 days a year. When downtime is not an option, trust Hycomp.

## Factory Tested

Your air compressor package is tested for a minimum of four hours at your conditions before it leaves our factory. For smoother startup and worry-free operation, trust Hycomp.



## Quality Construction & Packaging

Hycomp quality means attention to detail. By holding our materials and production methods to a higher standard, we provide you with industrial duty compressors that outlast and outperform the competition. We match the controls and packaging to our compressor quality, and tailor the whole system for your application. For longevity, efficiency and reliability, trust Hycomp.

### Detailed



We believe there are no small details. From our heavy cast iron cylinders to our 14 gauge, powder coated steel beltguards, we cut no corners.

### Durable



Our pressure lubricated crankcase allows 24 hour a day operation for nearly five years before the main bearings will need to be changed.

### Reliable



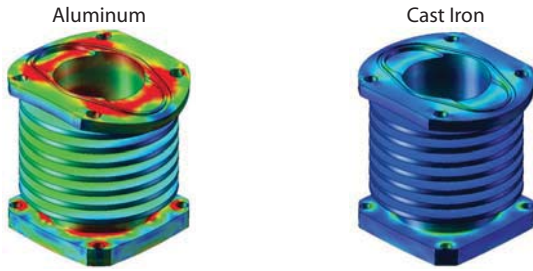
We use only brazed and welded tube ends on our heat exchangers, rather than rolled ends, to eliminate loss of air in the system, increasing the overall system reliability.

### Convenient



Our microprocessor based controllers offer peace of mind by providing answers and options, allowing you to more effectively operate your compressor system.

# Building A Better Compressor



## 1 Materials of Construction

Our crankcases, compression cylinders and cylinder heads are made of cast iron and steel. Unlike aluminum, these materials hold their shape and don't warp at elevated temperatures. The result is long term continuous duty.

## 2 Oil Isolation

Our distance piece works in conjunction with our piston rod oil scrapers to isolate the oil in the oil lubricated lower end from the oil free compression end. Oil scrapers remove oil from the piston rod while the open distance piece protects against oil vapor entering compression.

## 3 Crosshead Design

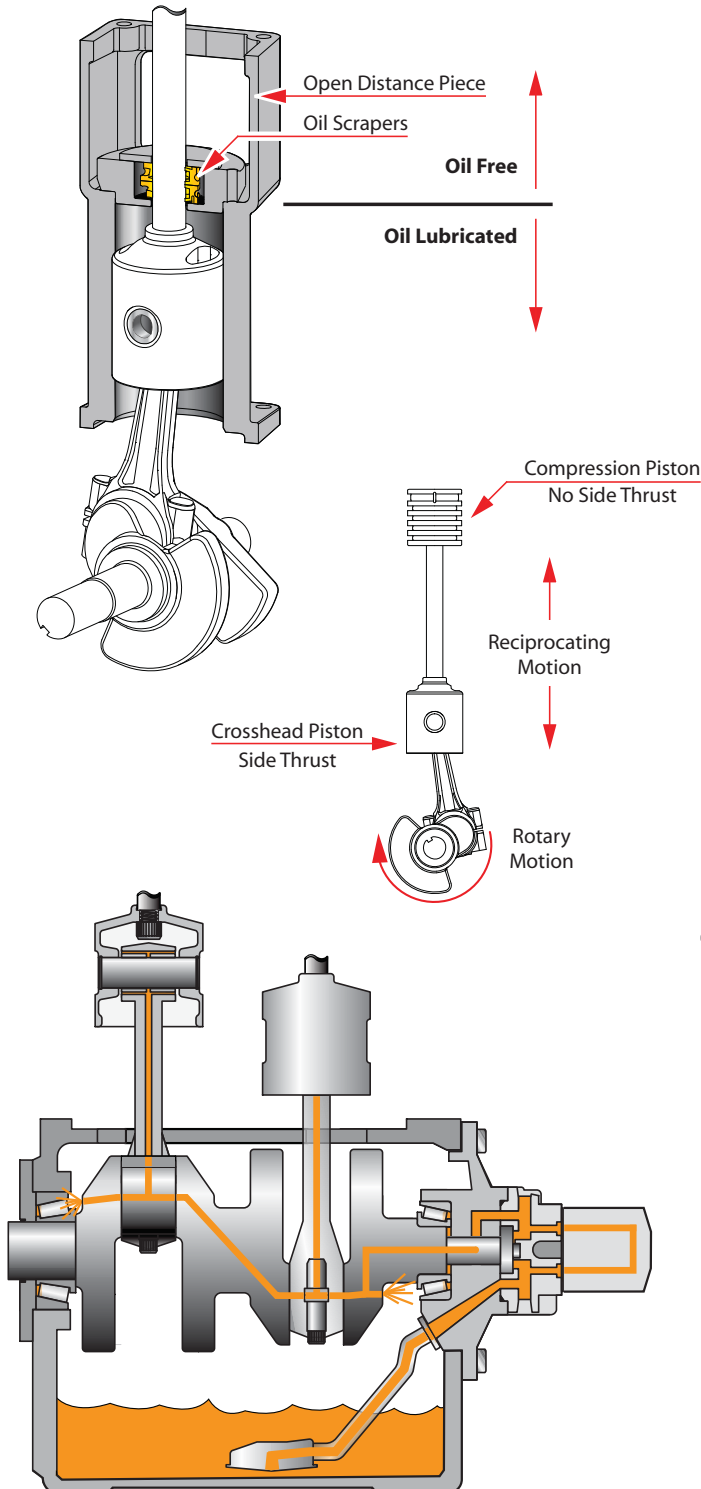
By transferring the rotary motion of the crankshaft to reciprocating motion through the use of a crosshead piston, our compression and guide rings never see side thrust, dramatically extending ring life.

## 4 Pressure Oil Lubricated

Our crankcase is pressurized to provide generous lubrication to all moving parts and bearings. Unlike splash lubrication that spreads oil sporadically, the oil in our crankcase is liberally delivered with pinpoint accuracy. The Hycomp oil lubricated bottom end decreases running temperatures, allows for higher discharge pressures and provides compressor longevity.

## 5 Lower Speeds

Instead of running at speeds of 1100-1400 rpm we run between 400 and 800 rpm. These lower speeds offer cooler running temperatures, less wear per stroke, less vibration and lower valve impact forces.

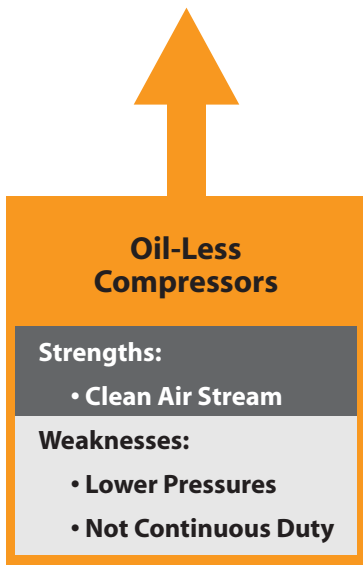




**hycomp**  
Oil Free Air Compressors

**Strengths:**

- Clean Air Stream
- Higher Pressures
- Continuous Duty



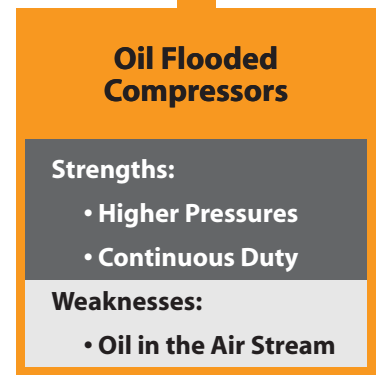
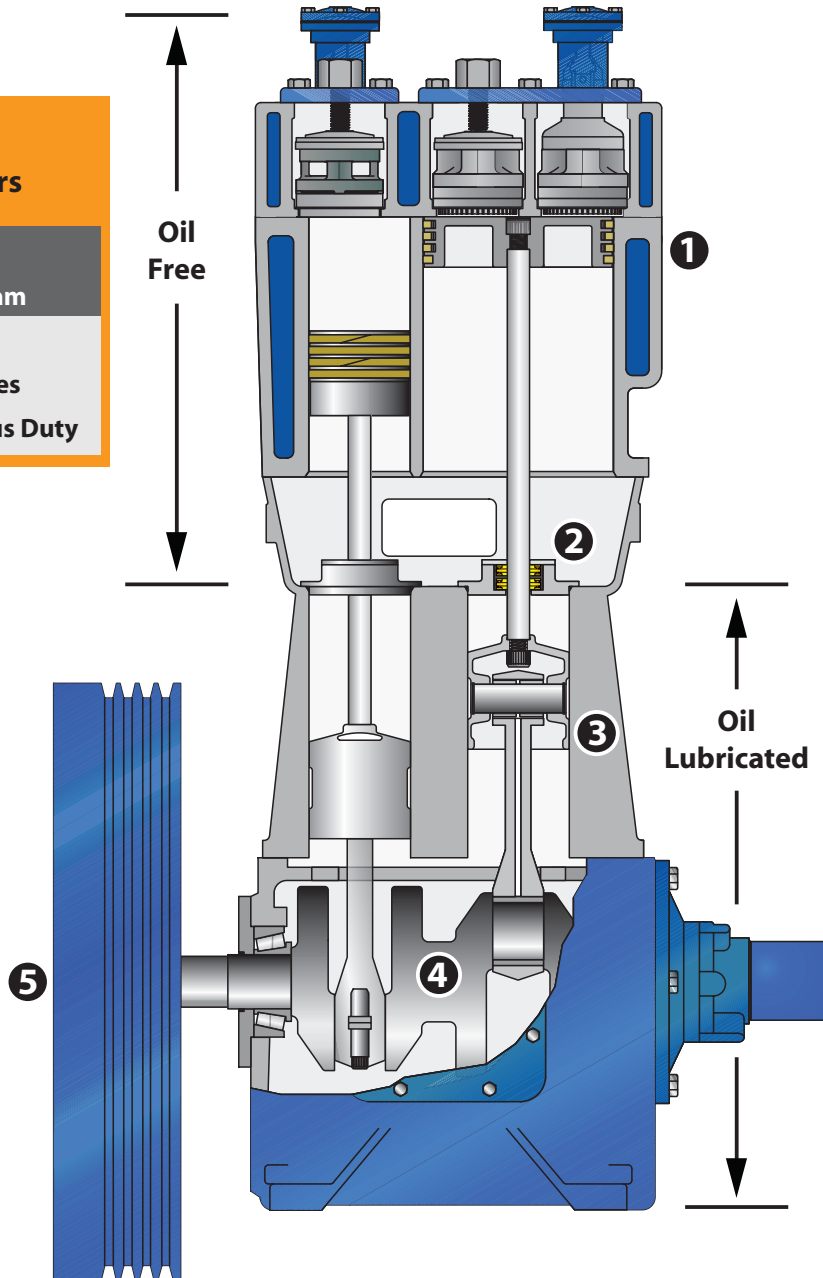
**Oil-Less Compressors**

**Strengths:**

- Clean Air Stream

**Weaknesses:**

- Lower Pressures
- Not Continuous Duty



**Oil Flooded Compressors**

**Strengths:**

- Higher Pressures
- Continuous Duty

**Weaknesses:**

- Oil in the Air Stream

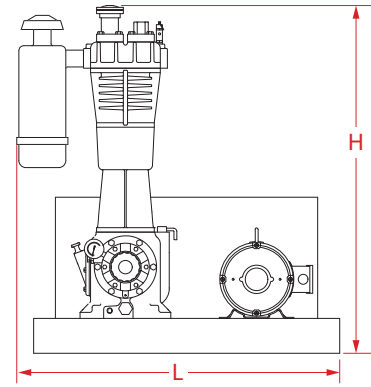
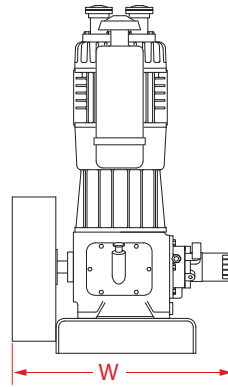
# Continuous Duty Up To 150 psig

## Single Stage

Models	H.P. Range	Bore (in.)	Stroke (in.)	Flow Range (ICFM)	MAWP (psig)	Minimum RPM	Maximum RPM	Flywheel		Approximate Shipping Weight (lbs)	
								P. D. (in.)	V-belts		
Air Cooled	AN6	0.5-1.5	3.0	2.5	3.0 - 7.4	150	400	900	13.64	2-B	290
	AN12	1-3	3.0	2.5	4.8 - 14.5	100	400	900	13.64	2-B	380
	AN26	2-5	4.0	3.0	11.9 - 31.3	100	400	900	15.60	2-B	590
	AN44	5-10	4.5	4.0	18.0 - 51.5	100	400	900	19.14	3-B	850
	AN154	15-30	7.5	5.0	60.0 - 177.3	100	400	850	24.60	4-C	2060
Water Cooled	WN26	3-7.5	4.0	3.0	10.4 - 31.3	150	400	900	15.60	2-B	660
	WN44	5-10	4.5	4.0	18.0 - 51.5	150	400	900	19.14	3-B	910
	WN72	7.5-20	5.75	4.0	25.0 - 80.6	150	400	900	23.14	4-B	1480
	WN90	10-25	5.75	5.0	31.3 - 100.8	150	400	900	23.14	4-B	1580
	WN98	15-30	6	5.0	34.1 - 109.7	150	400	900	24.60	4-C	2310
	WN154	20-40	7.5	5.0	54.8 - 171.8	150	400	850	24.60	4-C	2475

### Dimensions (in.)

Models	L	W	H	
Air Cooled	AN6	35.0	21.0	35.3
	AN12	36.4	23.0	36.0
	AN26	41.1	25.3	39.8
	AN44	48.3	29.5	49.0
	AN154	61.5	42.6	61.4
Water Cooled	WN26	39.0	25.3	46.0
	WN44	48.3	29.5	48.5
	WN72	49.4	37.1	51.0
	WN90	49.4	37.1	51.0
	WN98	60.0	42.6	58.9
	WN154	60.0	42.6	62.0

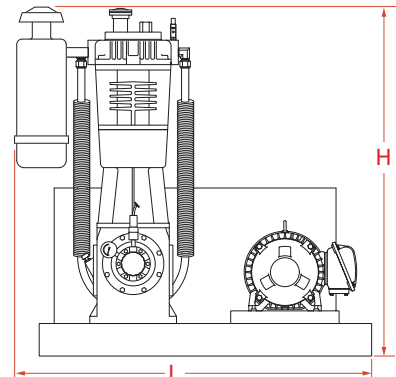
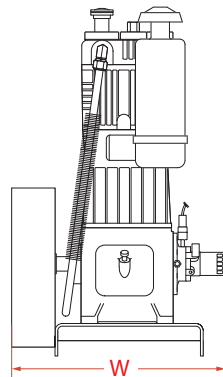


## Two Stage - Air Cooled

Models	H.P. Range	Bore (in.)	Stroke (in.)	Flow Range (ICFM)	MAWP (psig)	Minimum RPM	Maximum RPM	Flywheel		Approximate Shipping Weight (lbs)	
								P. D. (in.)	V-belts		
Air Cooled	2AN8	1.5-3	3.5 x 2	2.5	3.9 - 10.4	500	400	900	13.64	2-B	380
	2AN17	3-7.5	4.5 x 2.5	3.0	8.1 - 20.6	500	400	900	15.60	2-B	640
	2AN26	5-10	5.25 x 3	3.5	12.9 - 31.0	500	400	900	19.14	3-B	855
	2AN35	7.5-15	6 x 3.25	3.5	16.8 - 31.0	350	400	900	19.14	3-B	950
	2AN40	7.5-15	6 x 3.25	4.0	19.6 - 45.7	250	400	900	19.14	3-B	965
	2AN61	10-20	7.5 x 4	4.0	29.5 - 68.3	250	400	900	23.14	4-B	1520
	2AN76	15-25	7.5 x 4	5.0	32.8 - 85.4	250	400	900	23.14	4-B	1615
	2AN137	25-50	10 x 5.25	5.0	63.9 - 157.4	250	400	850	24.60	4-C	2300

### Dimensions (in.)

Models	L	W	H	
Air Cooled	2AN8	37.0	22.3	35.5
	2AN17	41.0	25.3	42.0
	2AN26	47.0	29.5	48.1
	2AN35	48.3	29.5	48.0
	2AN40	48.3	29.5	48.3
	2AN61	50.1	37.1	54.0
	2AN76	50.1	37.1	54.0
	2AN137	61.5	42.6	61.4



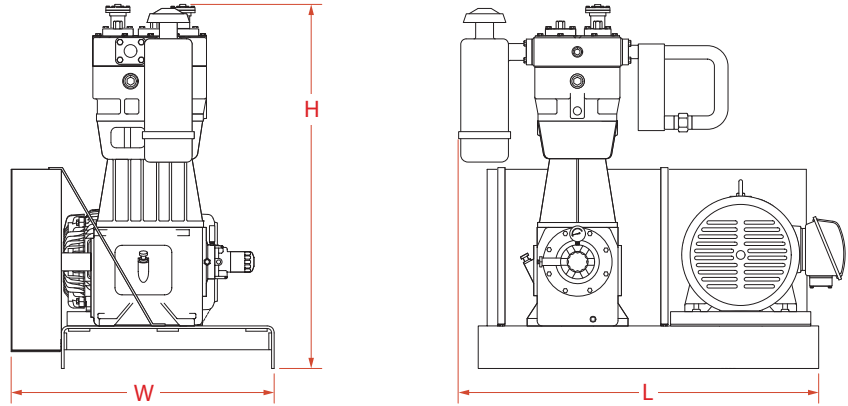
# Continuous Duty Up To 450 psig

## Two Stage - Water Cooled

Models	H.P. Range	Bore (in.)	Stroke (in.)	Flow Range (ICFM)	MAWP (psig)	Minimum RPM	Maximum RPM	Flywheel		Approximate Shipping Weight (lbs)
								P. D. (in.)	V-belts	
2WN15	3-7.5	4.0 x 2.0	3.0	7.6 - 20.5	500	400	900	15.6	2-B	690
2WN35	5-15	6 x 3.25	3.5	15.3 - 40.4	350	400	900	19.14	3-B	1010
2WN40	7.5-15	6 x 3.25	4.0	17.5 - 45.8	350	400	900	19.14	3-B	1030
2WN61	10-20	7.5 x 4	4.0	28.1 - 68.4	250	400	900	23.14	4-B	1580
2WN76	10-25	7.5 x 4	5.0	35.1 - 85.5	250	400	900	23.14	4-B	1675
2WN150	25-50	10.56 x 5.25	5.0	69.9 - 173.8	350	400	850	24.0	4-C	2550

Water Cooled

Models	L	W	H
2WN15	41.0	25.3	40.2
2WN35	48.5	29.5	48.0
2WN40	48.5	29.5	48.3
2WN61	50.5	37.1	51.3
2WN76	50.5	37.1	51.3
2WN150	61.5	42.6	61.0

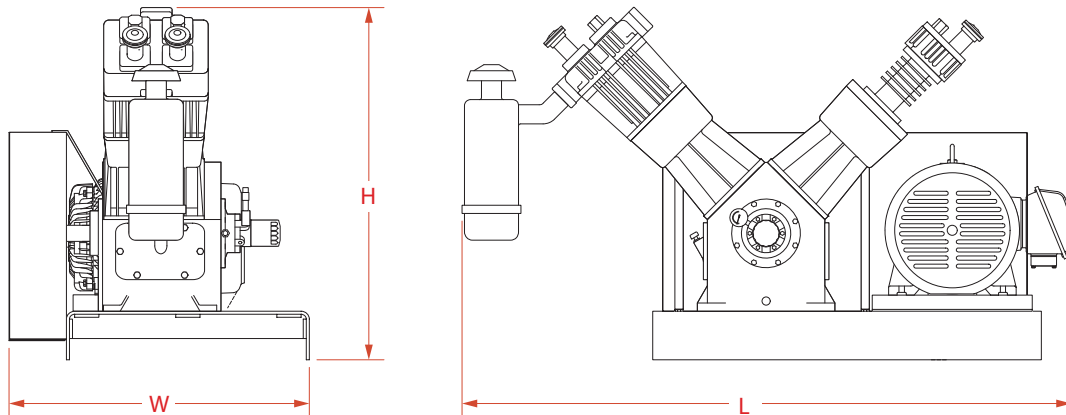


## Three Stage

Models	H.P. Range	Bore (in.)	Stroke (in.)	Flow Range (ICFM)	MAWP (psig)	Minimum RPM	Maximum RPM	Flywheel		Approximate Shipping Weight (lbs)
								P. D. (in.)	V-belts	
3AN44V	10 - 30	4.5x3.5x2.0	4.0	23 - 48	400	400	900	23.14	4-B	2125
3AN44V2	10 - 30	4.5x3.25x2.0	4.0	23 - 48	500	400	900	23.14	4-B	2125

Air Cooled

Models	L	W	H
3AN44V	75.3	37.1	43.5
3AN44V2	75.3	37.1	43.5



# Additional Products:

## Gas Compressors

---

**When you need to compress any gas other than air.**

Hycomp oil free gas compressors deliver a wide range of flows at pressures from a few psig to over 1,500 psig. We compress gases such as: nitrogen, natural gas, argon, helium, and carbon dioxide, to name just a few. These gases are accommodated with our safe, reliable and flexible oil free gas compressors.



## Air Boosters

---

**When your plant pressure isn't enough.**

Hycomp oil free air boosters are engineered to increase existing plant air pressure. Our oil free air boosters are a smart alternative to stand-alone compressors or air amplifiers because Hycomp air boosters are more cost effective, last longer and increase your overall energy efficiency.



---

**We do more than manufacture oil free compressors...  
We build trust.**

Contact Hycomp today for your oil free compression solution. We will work with you throughout the design, manufacturing and delivery process to provide you with a compressor tailored to your application.



60 West 3800 North  
Hyde Park, UT 84318  
USA

**phone:** 435.563.3695  
**fax:** 435.563.3762

**web:** [www.hycompusa.com](http://www.hycompusa.com)  
**email:** [sales@hycompusa.com](mailto:sales@hycompusa.com)